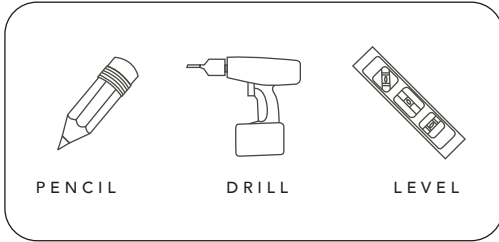
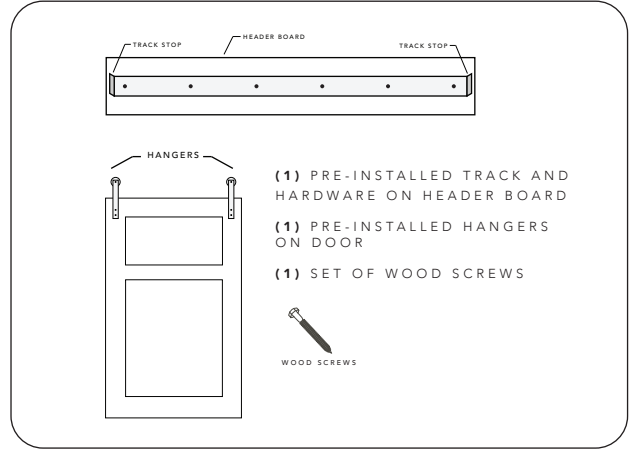


## TOOLS NEEDED:

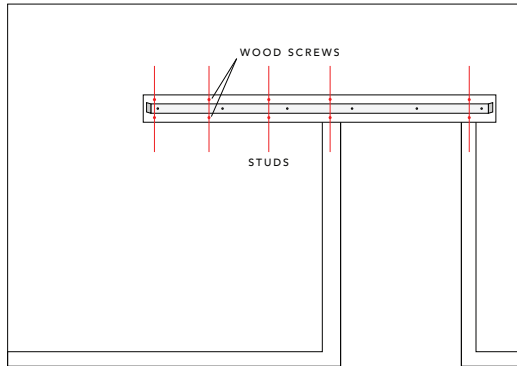


## WHAT'S INCLUDED:



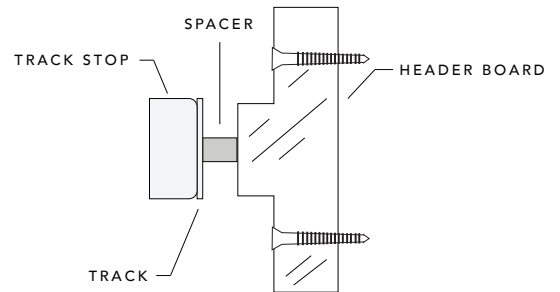
## STEP-BY-STEP INSTRUCTIONS

**1**

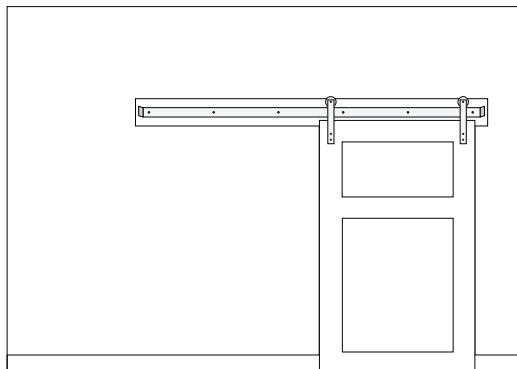


1. FIND STUDS IN WALL
2. LEVEL OUT HEADER BOARD
3. PLACE (2) SCREWS INTO HEADER BOARD ABOVE AND BELOW TRACK

### SIDE VIEW



**2**



1. PLACE DOOR ON TRACK

### DOOR CLOSE UP

