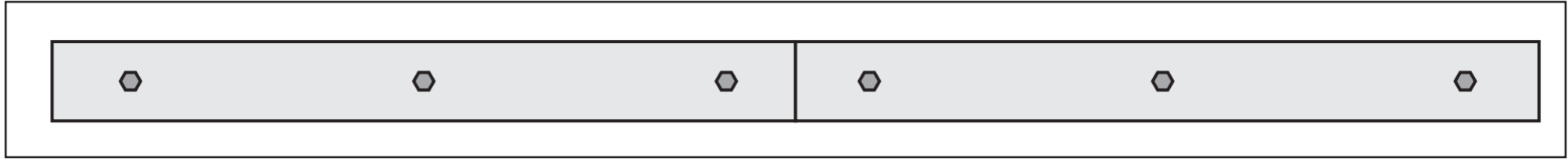
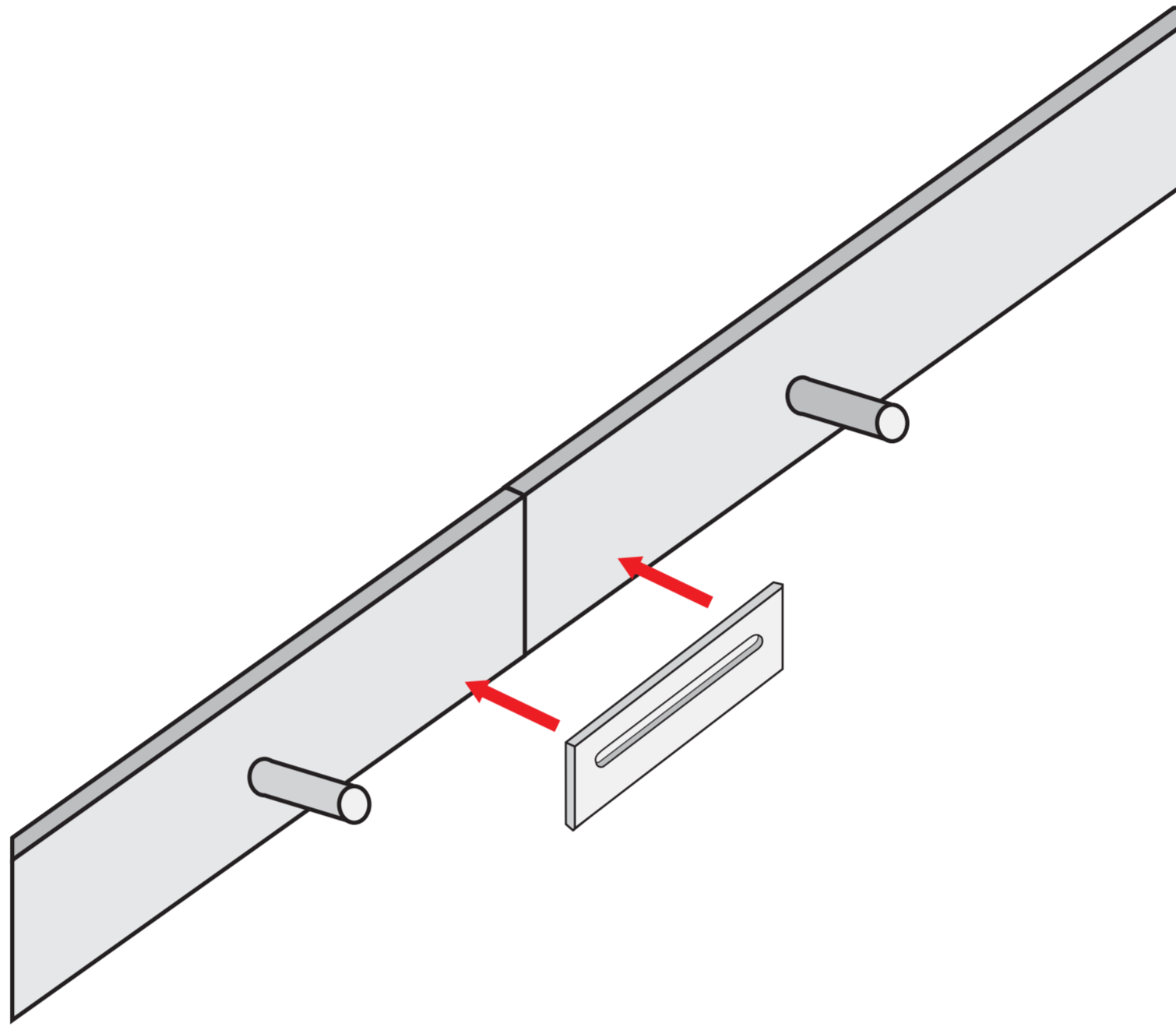


The Splice Kit is used for tracks that are over 8' long and come in multiple segments. The splice kit connects these segments to ensure a smooth ride along the track for your doors.

1 MOUNT YOUR SLIDING TRACKS INTO THE WALL USING THE INSTALLATION GUIDE PROVIDED.

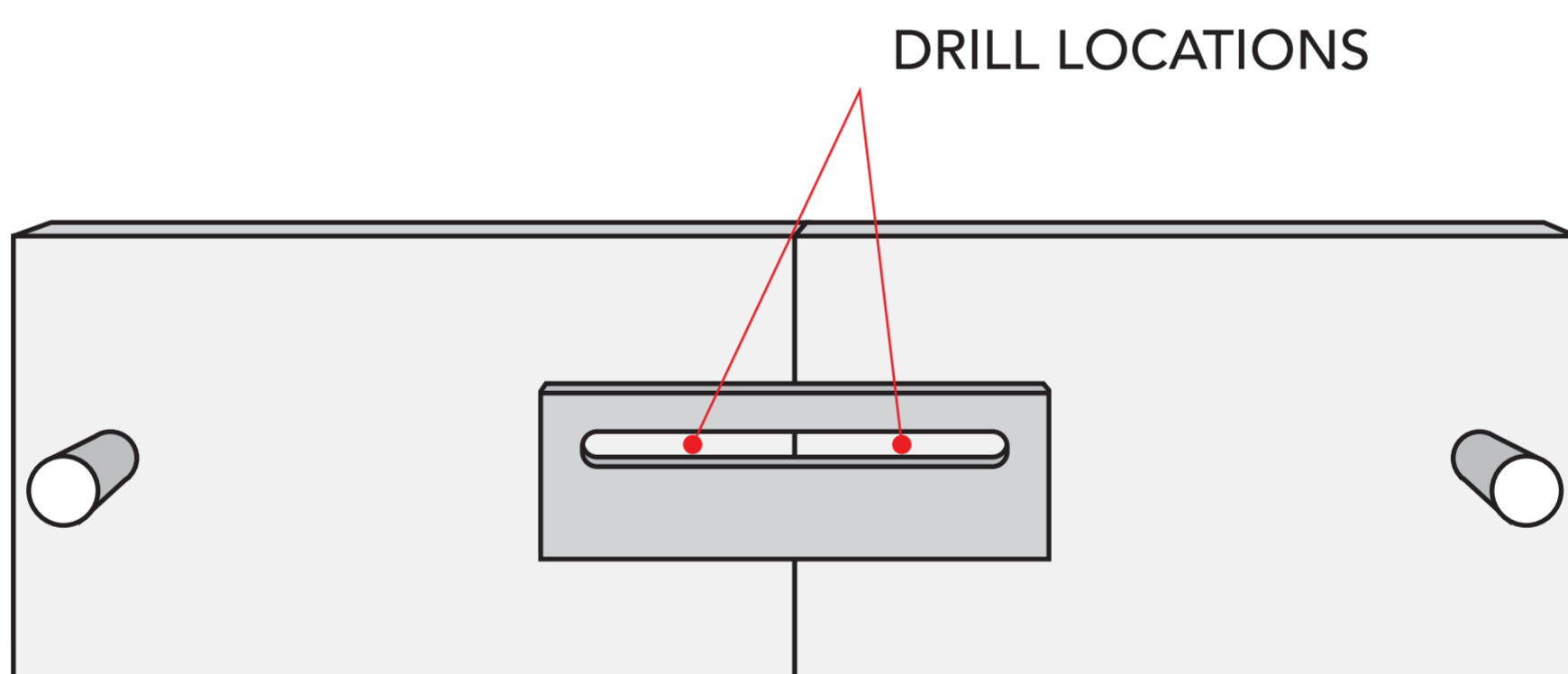


2 ONCE YOUR TRACKS ARE MOUNTED, PLACE THE SPLICE PIECE ON THE BACKSIDE OF WHERE THE TRACKS MEET.

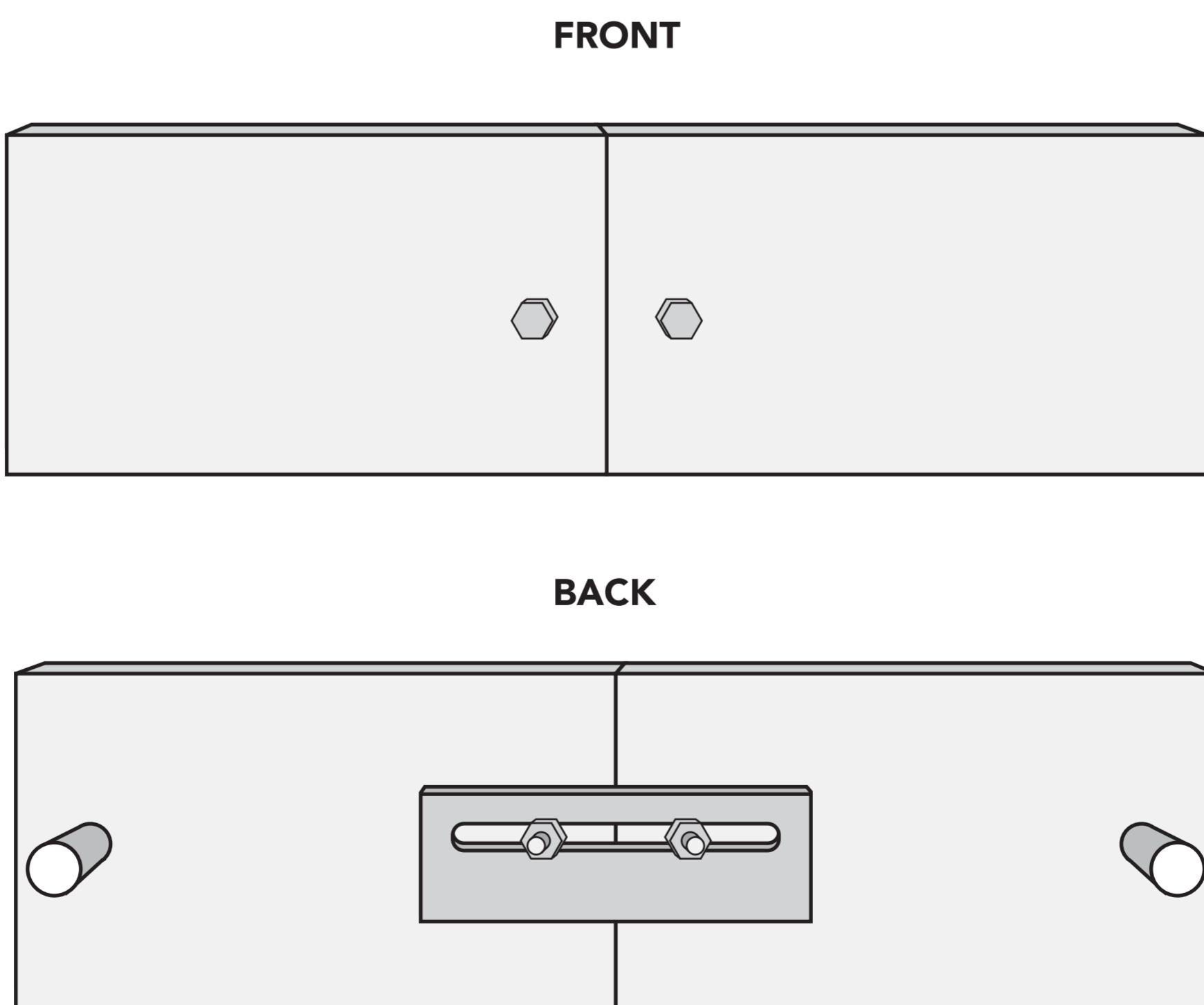


3 WITH THE SPLICE IN PLACE, DETERMINE WHERE TO DRILL A HOLE FOR EACH TRACK.

Please note: If you've ordered a pre-drilled track, the holes will be drilled for the splice



4 DRILL HOLES TO ATTACH THE SPLICE TO YOUR TRACKS. SCREW IN BOLTS.



ENJOY!

